

JANET



Compact and economic underwater fixture range. Competitive and flexible quality recessed fixtures with multiple beam angles.

Luminaire Structure

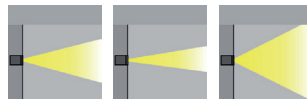
- Stainless steel grade body and fasteners in grade 316
- Cable entry PG-11. Cable gland supplied with 2m, 2x1.0 sqmm. of outdoor submersible power cable
- Durable silicone rubber gasket
- Clear toughened glass
- Recessing box in stainless steel 316 grade
- Remote driver required to be installed by others.
- Maximum depth 2 meter
- The luminaire must be submerged when operational
- Accessory must be ordered separately.
- Remote driver is included.
- Remote IP gear box is not included.



Feature Symbols



Light Symbols



Product colors


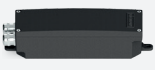


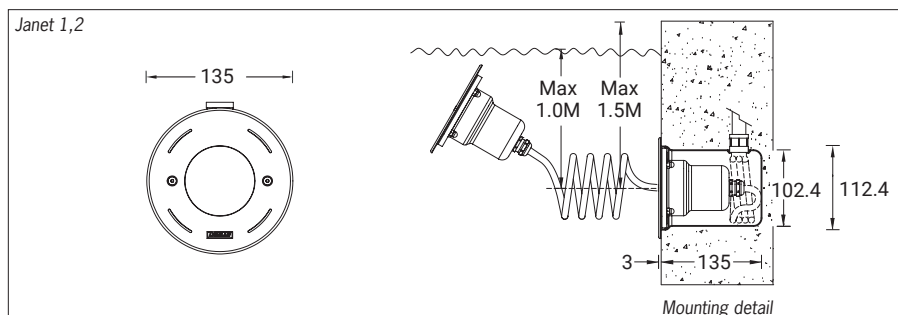
JANET

Technical information

	Model No.	Lamp	Power	Lumen	Optic			CCT	Dimming type	Efficacy	EEC	CRI	Weight
					N	M	W						
With recessing box / remote driver - Without remote IP box													
JANET 2	JA-60811	7 LED	12 W	1569 lm	23°	34°	42°	3000K, 4000K	1-10V, DALI, On/Off	103 - 144 lm/W	A++	Ra > 80	1.6 kg
With recessing box / remote driver - Without remote IP box													
JANET 1	JA-60067	3 LED	8 W	635 lm	28°	32°	51°	3000K, 4000K	1-10V, DALI, On/Off	63 - 97 lm/W	A+	Ra > 80	1.6 kg

Accessories

	
Connector IP68	Remote box IP65
A62591	A80191
JA-60067	.
JA-60811	.



Format Reference	Format Name
JA-60067-M-W30-DA	JANET 1 - JA-60067 - 3 LED - 8 W - 32° - 3000K - DALI - Stainless Steel
JA-60067-M-W30-DI	JANET 1 - JA-60067 - 3 LED - 8 W - 32° - 3000K - 1-10V - Stainless Steel
JA-60067-M-W30-ND	JANET 1 - JA-60067 - 3 LED - 8 W - 32° - 3000K - On/Off - Stainless Steel
JA-60067-M-W40-DA	JANET 1 - JA-60067 - 3 LED - 8 W - 32° - 4000K - DALI - Stainless Steel
JA-60067-M-W40-DI	JANET 1 - JA-60067 - 3 LED - 8 W - 32° - 4000K - 1-10V - Stainless Steel
JA-60067-M-W40-ND	JANET 1 - JA-60067 - 3 LED - 8 W - 32° - 4000K - On/Off - Stainless Steel
JA-60067-N-W30-DA	JANET 1 - JA-60067 - 3 LED - 8 W - 28° - 3000K - DALI - Stainless Steel
JA-60067-N-W30-DI	JANET 1 - JA-60067 - 3 LED - 8 W - 28° - 3000K - 1-10V - Stainless Steel
JA-60067-N-W30-ND	JANET 1 - JA-60067 - 3 LED - 8 W - 28° - 3000K - On/Off - Stainless Steel
JA-60067-N-W40-DA	JANET 1 - JA-60067 - 3 LED - 8 W - 28° - 4000K - DALI - Stainless Steel
JA-60067-N-W40-DI	JANET 1 - JA-60067 - 3 LED - 8 W - 28° - 4000K - 1-10V - Stainless Steel
JA-60067-N-W40-ND	JANET 1 - JA-60067 - 3 LED - 8 W - 28° - 4000K - On/Off - Stainless Steel
JA-60067-W-W30-DA	JANET 1 - JA-60067 - 3 LED - 8 W - 51° - 3000K - DALI - Stainless Steel
JA-60067-W-W30-DI	JANET 1 - JA-60067 - 3 LED - 8 W - 51° - 3000K - 1-10V - Stainless Steel
JA-60067-W-W30-ND	JANET 1 - JA-60067 - 3 LED - 8 W - 51° - 3000K - On/Off - Stainless Steel
JA-60067-W-W40-DA	JANET 1 - JA-60067 - 3 LED - 8 W - 51° - 4000K - DALI - Stainless Steel
JA-60067-W-W40-DI	JANET 1 - JA-60067 - 3 LED - 8 W - 51° - 4000K - 1-10V - Stainless Steel
JA-60067-W-W40-ND	JANET 1 - JA-60067 - 3 LED - 8 W - 51° - 4000K - On/Off - Stainless Steel
JA-60811-M-W30-DA	JANET 2 - JA-60811 - 7 LED - 12 W - 34° - 3000K - DALI - Stainless Steel

JANET

JA-60811-M-W30-DI	JANET 2 - JA-60811 - 7 LED - 12 W - 34° - 3000K - 1-10V - Stainless Steel
JA-60811-M-W30-ND	JANET 2 - JA-60811 - 7 LED - 12 W - 34° - 3000K - On/Off - Stainless Steel
JA-60811-M-W40-DA	JANET 2 - JA-60811 - 7 LED - 12 W - 34° - 4000K - DALI - Stainless Steel
JA-60811-M-W40-DI	JANET 2 - JA-60811 - 7 LED - 12 W - 34° - 4000K - 1-10V - Stainless Steel
JA-60811-M-W40-ND	JANET 2 - JA-60811 - 7 LED - 12 W - 34° - 4000K - On/Off - Stainless Steel
JA-60811-N-W30-DA	JANET 2 - JA-60811 - 7 LED - 12 W - 23° - 3000K - DALI - Stainless Steel
JA-60811-N-W30-DI	JANET 2 - JA-60811 - 7 LED - 12 W - 23° - 3000K - 1-10V - Stainless Steel
JA-60811-N-W30-ND	JANET 2 - JA-60811 - 7 LED - 12 W - 23° - 3000K - On/Off - Stainless Steel
JA-60811-N-W40-DA	JANET 2 - JA-60811 - 7 LED - 12 W - 23° - 4000K - DALI - Stainless Steel
JA-60811-N-W40-DI	JANET 2 - JA-60811 - 7 LED - 12 W - 23° - 4000K - 1-10V - Stainless Steel
JA-60811-N-W40-ND	JANET 2 - JA-60811 - 7 LED - 12 W - 23° - 4000K - On/Off - Stainless Steel
JA-60811-W-W30-DA	JANET 2 - JA-60811 - 7 LED - 12 W - 42° - 3000K - DALI - Stainless Steel
JA-60811-W-W30-DI	JANET 2 - JA-60811 - 7 LED - 12 W - 42° - 3000K - 1-10V - Stainless Steel
JA-60811-W-W30-ND	JANET 2 - JA-60811 - 7 LED - 12 W - 42° - 3000K - On/Off - Stainless Steel
JA-60811-W-W40-DA	JANET 2 - JA-60811 - 7 LED - 12 W - 42° - 4000K - DALI - Stainless Steel
JA-60811-W-W40-DI	JANET 2 - JA-60811 - 7 LED - 12 W - 42° - 4000K - 1-10V - Stainless Steel
JA-60811-W-W40-ND	JANET 2 - JA-60811 - 7 LED - 12 W - 42° - 4000K - On/Off - Stainless Steel